

EQN0102-10 Negative Slope Equalizer

1.0 to 2.0 GHz



Technical Characteristics

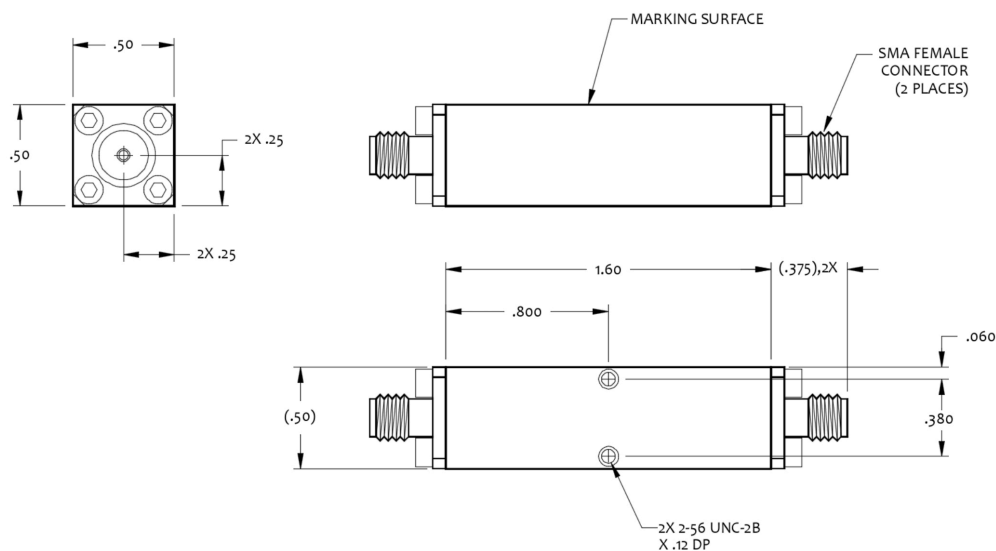
| Product Features |
|---|
| Fixed or adjustable attenuation tuning |
| Low insertion loss |
| SMA connector standard |
| Impedance 50 or 75 ohms |
| Compact size |
| Meets MIL-E-5400 and MIL-E-16400 environmental requirements |

| Maximum Ratings | |
|-----------------------|---------------|
| Max. Input Power | 250mW |
| Operating Temperature | -55 to +95°C |
| Storage Temperature | -65 to +125°C |
| Specifications @ | 25°C |

| Maximum Ratings | |
|---|--|
| ECCN: EAR 99 (Unless otherwise specified) | |
| HTS: 8543.7080.00 | |

| Parameters | Freq. (GHz) | Minimum | Typical | Maximum | Units | Conditions |
|------------------|-------------|---------|---------|---------|-------|------------|
| Attenuation | 1.0 to 2.0 | | 10.0 | | dB | |
| Insertion Loss | 2.0 | | 1.0 | | dB | |
| VSWR | 1.0 to 2.0 | | 1.5:1 | | | |
| Linearity | 1.0 to 2.0 | | +/-1.0 | | dB | |
| Max. Input Power | 1.0 to 2.0 | | | 250 | mW | |

Package Outline



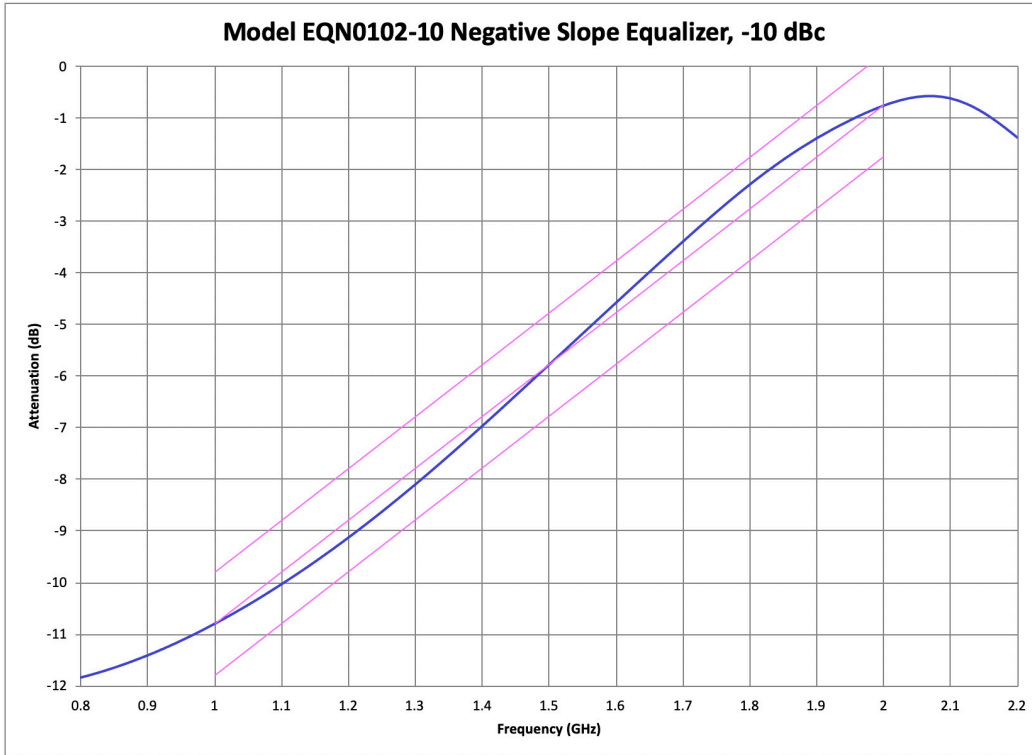
DISCLAIMER: Subject to change without notice.
Rev(B) 09/12/19

EQN0102-10 Negative Slope Equalizer

1.0 to 2.0 GHz



Test Data



DISCLAIMER: Subject to change without notice.
Rev(B) 09/12/19